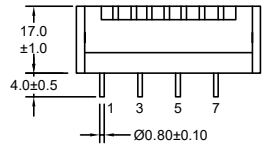


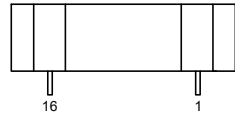
P/N: FAUI300511



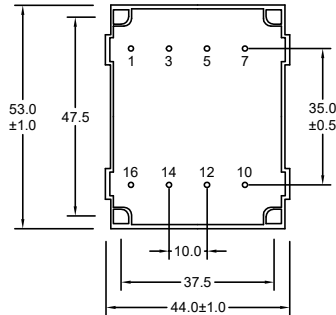
Outline Dimensions(Unit:mm)



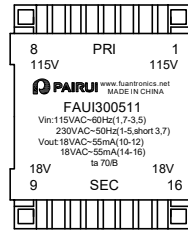
Side View



Front View



Bottom View

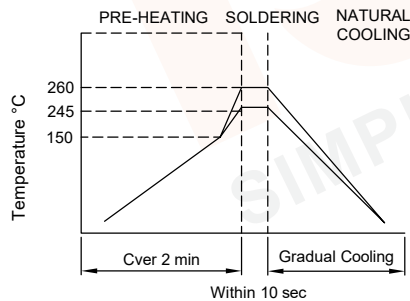


Top View

Note:

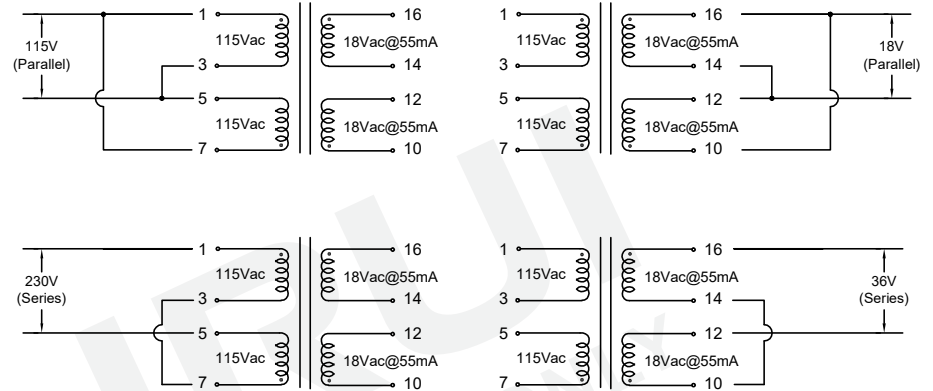
- 1.Remove Pins 2,4,6,8,9,11,13,15.

Wave Soldering



Note:
1.Never Contact the ceramic with the iron tip;
2.1.0mm tip diameter(max).

Electronical Schematic



Electrical Characteristics

Input 115Vac 60Hz to (1,7-3,5)
or 230Vac 50Hz to (1-5,short 3,7) :

Excitation current(Ix):20mA Max.

Output: Vo(10-12)=30.6Vac Typ(No-load).
Vo(14-16)=30.6Vac Typ(No-load).
VL(10-12)=18.0Vac±5%(@55mA).
VL(14-16)=18.0Vac±5%(@55mA).

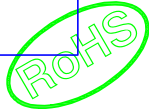
Hi-Pot: Pri-Sec:4000VAC/5mA/60Second.

General Properties

Operating Temperature:-40°C to +70°C.
Storage Temperature:-25°C to +85°C.
Insulation Class: B.
Weight: 0.115kg.

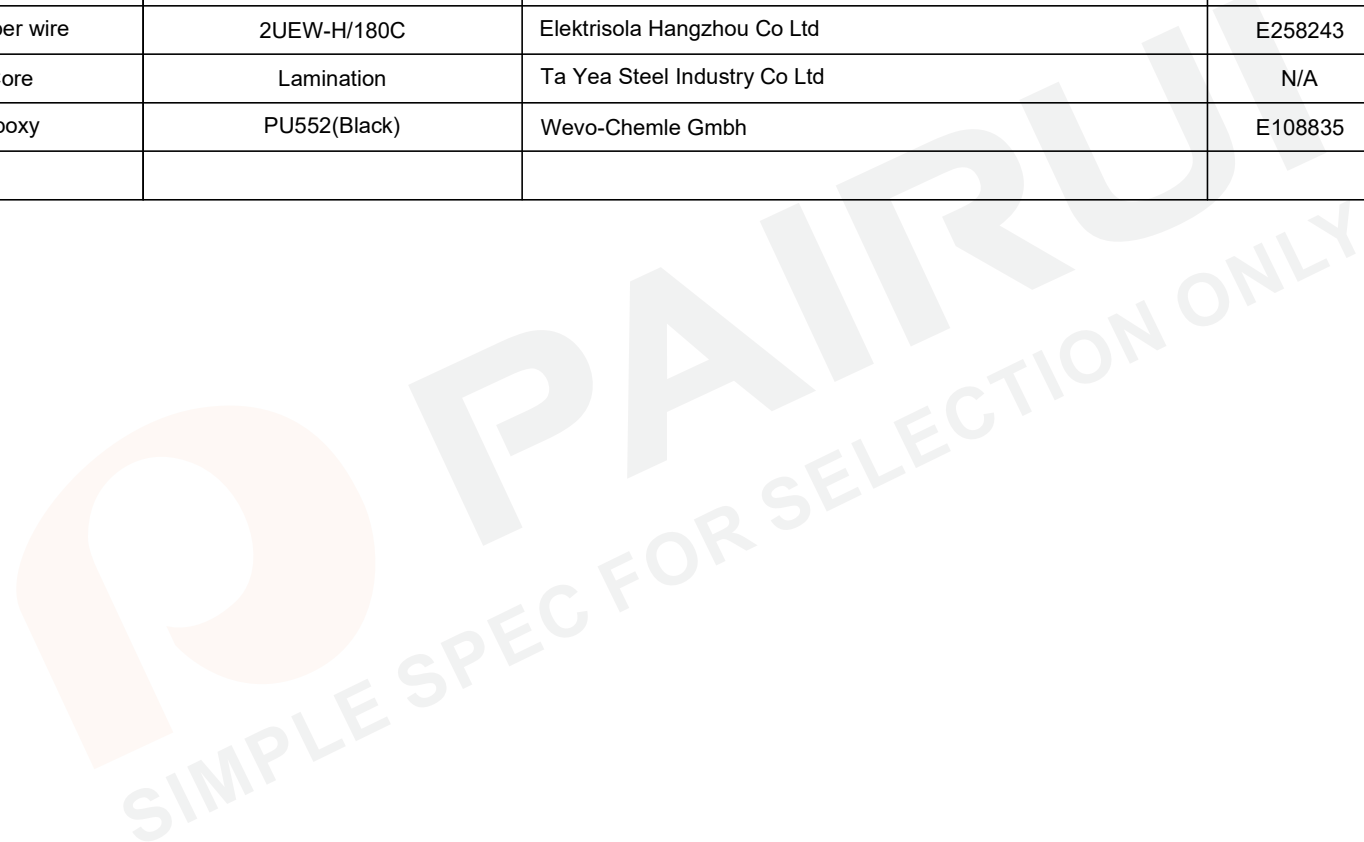
				Tianchang Fuan Electronic Co Ltd www.fuantronics.net TEL: +86-550-7814888 FAX: +86-550-7831133	 Tolerances unless otherwise specified: (.X)±0.50 (XX)±0.25 Unit of measurement: mm	Make: Qiumei.Liu Checked: Beson. zhan Approved: Anson. zhan	DRAWING TITLE 2.0W Encapsulated Transformer For UI30*5.5,2*115VAC Input 50/60Hz Material Number: A223005XS400	Customer Name: Document/Rev: Specification Sheet: 1 of 2 Date of Recognition: Jan./02/2020
REV	DESCRIPTION	APPD	DATE					

P/N: FAUI300511



List of UL Certificate:

No.	Part Name	Mat'l Description	Supplier	UL Number
1	Bobbin	UI30*5.5/PBT(Black)	Chang Chun Plastics Co Ltd	E59481
2	Case	CASE-UI30*5.5/PBT(Black)	Zhejiang Juner New Materials Co Ltd	E204321
3	Copper wire	2UEW-H/180C	Elektrisola Hangzhou Co Ltd	E258243
4	Core	Lamination	Ta Yea Steel Industry Co Ltd	N/A
5	Epoxy	PU552(Black)	Wevo-Chemle Gmbh	E108835
6				



				Tianchang Fuan Electronic Co Ltd www.fuantronics.net TEL: +86-550-7814888 FAX: +86-550-7831133	Tolerances unless otherwise specified: (.X)±0.50 (XX)±0.25 Unit of measurement: mm	Make: Qiumei.Liu	DRAWING TITLE 2.0W Encapsulated Transformer For UI30*5.5,2*115VAC Input 50/60Hz	Customer Name:
						Checked: Beson. zhan		Document/Rev:
REV	DESCRIPTION	APPD	DATE			Approved: Anson. zhan		Material Number: A223005XS400